



Thermaltake View 71 TG Full Tower Chassis



Product Full Name	Thermaltake View 71 Tempered Glass Edition Full Tower Chassis
Etail Product Title	Thermaltake View 71 TG 4-Sided Tempered Glass E-ATX Vertical GPU Modular Black Gaming Full Tower Computer Case CA-1I7-00F1WN-00
Part Number	CA-1I7-00F1WN-00
Product Photo	https://thermaltake.sharefile.com/d-s0241c3436ab46e08
Video	https://thermaltake.sharefile.com/d-s8acf14a83b9477f8
Web Site	http://www.thermaltake.com/products-model.aspx?id=C_00003129

Overview (100 Words Product Description)

Designed to expand the legacy of the View Series lineup, the View 71 Tempered Glass Edition Full-Tower Chassis features unrivaled cooling support, expandability and surrounded in luxurious tempered glass for a one of a kind view. Swing open full window tempered glass panels, properly spaced for optimal airflow while keeping dust free with removable filters. Preinstalled with two 140mm Riing Blue fans , seven modular drive trays, triple radiator mounting up to 420mm to support today's PC hardware demands. Take in the View of glorious full tower fitment, the only limitation is your imagination.

Overview (50 Words Product Description)

Designed to expand the legacy of the View Series lineup, the View 71 Tempered Glass Edition Full-Tower Chassis features unrivaled cooling support, expandability and surrounded in luxurious tempered glass for a one of a kind view.

Overview (25 Words Product Description)

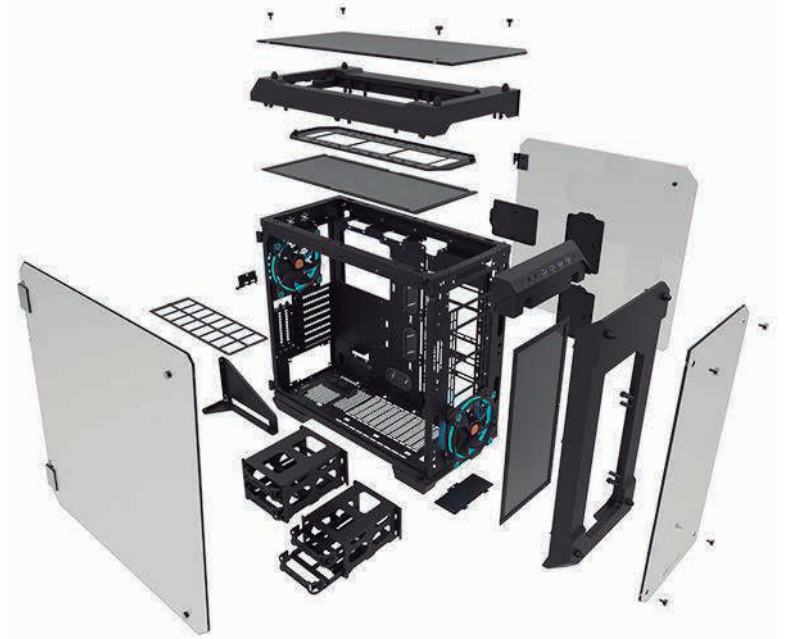
The View 71 TG Full-Tower Chassis features unrivaled cooling support, expandability and surrounded in tempered glass for a one of a kind view.



View 71 Tempered Glass Edition (CA-1I7-00F1WN-00)



5mm Thick Dual Tempered Glass Swing Door Windows



Fully Modular Chassis Design



8+2 Expansion Configuration
(Vertical GPU Capable)



Optimized Storage Placement



Key Features:

Format 1:

- Four-Side 5mm Thick Tempered Glass Window and Swing Door Design
- 3-Way Radiator Mounting up to 420mm
- Fully Modular Chassis Design
- AIO/ DIY Liquid Cooling Capable
- GPU Support Bracket for Vertical Mounting (Optional)
- Pre-installed 2 x Riing 140mm Blue LED Fans

Format 2:

- Take in the View: Designed for enthusiasts, the View 71 dual swing door full window panels open a new look on PC building.
- 4-Sided Glass Viewing Protection: Surrounded in 5mm thick tempered glass panels spaced from the chassis for optimal airflow.
- Go Vertical: Includes GPU Float bracket allows vertical mounting options for 2.5-slot GPU solutions. (Riser Cable Sold Separately)
- 3-Way Radiator View: Supporting 3-way radiator fitments with options for Top, Front or Vertical View mounting options.
- Cool all your View: Includes 2 x Riing 140mm Blue LED Fans (140mm) providing cooling and color right out of the box.
- Fully Modular Design: Provides multiple configurations and flexibility for custom PC Enthusiasts
- Warranty: 1 Year

Box Contents

- View 71 TG Case
- User Manual
- Accessory Box

Search Terms (SEO)

Thermaltake View series, Tempered Glass case, PC Case, gaming case, pc gaming case, full tower case, best case, full tower ATX, LCS case



View 71 Tempered Glass Edition (CA-1I7-00F1WN-00)

Product Information	
Brand	Thermaltake
Model	View 71 TG
UPC / EAN	841163000687 / 4711246870680
Product Dimensions (L x W x H)	23.3" x 10.8" x 22.75" / 592 x 274 x 577 mm
Product Weight	42.11 (LBS) / 00.0 (KG)
Carton Dimensions (L x W x H)	22" x 12.7" x 23.9" / 000 x 000 x 000 mm
Carton Weight	22.1 (LBS) / 00.0 (KG)
Carton QTY	1
Carton Cu ft	3.83
Carton CBM	<Value>
Warranty	3 Year
Specification	
Case Type	Full Tower
Color	Exterior & Interior : Black
Case Material	SPCC
With Power Supply	No
Power Supply Mounted	Bottom
Motherboard Compatibility	6.7" x 6.7"(Mini ITX), 9.6" x 9.6"(Micro ATX), 12" x 9.6"(ATX), 12"x 13"(E-ATX)
Side Panel	5mm Tempered Glass x 4 (Left & Right & Front & Top)
Internal 2.5"/3.5" Drive Bays	4x 2.5"/3.5" (HDD Cage), 6x 2.5" or 3x 3.5" (Hidden)
Expansion Slots	8+2
I/O Port	USB 3.0 x 2, USB 2.0 x 2, HD Audio x 1
Pre-installed Fans	2 x Riing 140mm Blue LED Fans
PSU	Standard PS2 PSU (optional)
Compatibility	
Air Cooling Supported	Fan Support (Optional)
	Front: 3 x 120mm / 2 x 140mm
	Top: 1 x 120mm / 1 x 140mm
	Rear: 1 x 120mm
	Bottom: 1 x 120mm
Radiator Size Supported	Radiator Support (Optional)
	Front: 1 x 120mm or 1 x 240mm or 1 x 360mm 1 x 140mm or 1 x 280mm
	Top: 1 x 120mm
	Rear: 1 x 120mm
	Fitment



View 71 Tempered Glass Edition (CA-117-00F1WN-00)

PSU length limitation: 220mm (Without Bottom Fan)



Support up to 360mm AIO
(Top/Vertical Side)



Push/Pull Fan Configuration Capable

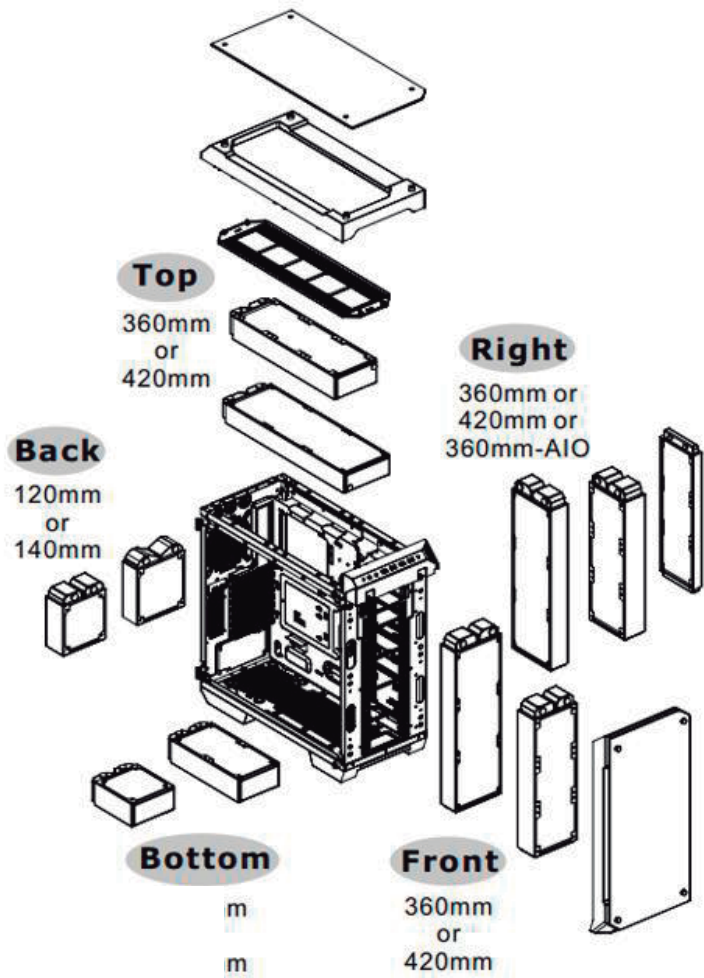


Enthusiast Grade DIY LCS Capable



View from any angle

View 71 TG Radiator Support



View 71 TG Fan Support

